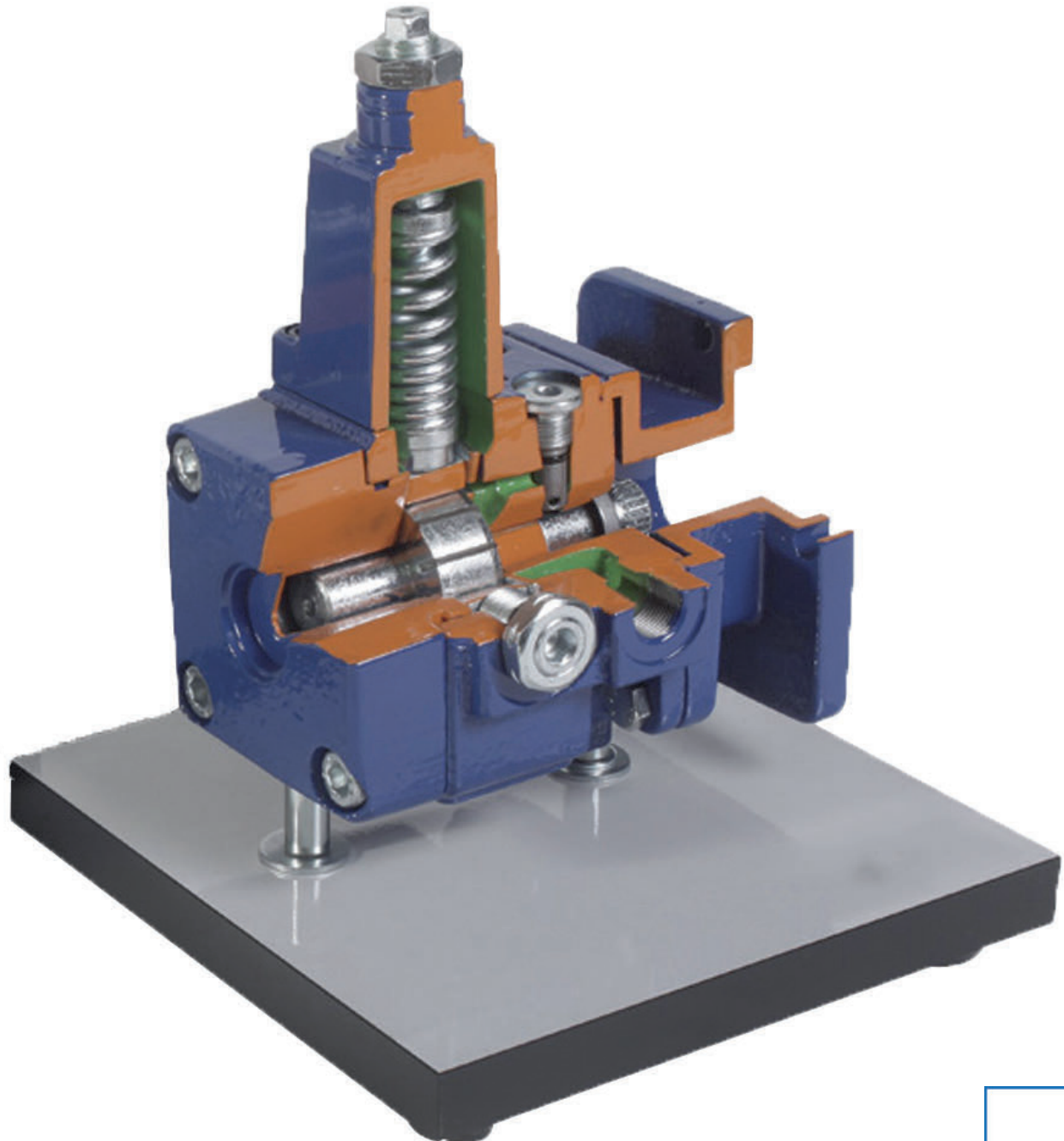


# VARIABLE CAPACITY HYDRAULIC PUMP

N98-ND13103



## WEIGHT AND DIMENSIONS

20cm x 20cm x 28cm (L x W x H)

Net Weight: 7 kg

Gross Weight: 12 kg



MOUNTED ON BASE

Version2.0.JL071714



LOOK US UP ONLINE