

# POTENTIOSTAT / GALVANOSTAT POWER BOOSTER N600-HAL3001-B10



## Manual of Operations

### IMPORTANT!

**Read the following before using this equipment:**

*Carefully Follow all instructions and observe all precautions given in this book*



## CAUTION!

- Never disassemble or attempt to repair the unit by yourself, such an attempt may damage the unit or cause you injury.
- Avoid installation of the unit where too much dust or corrosive gas exists.
- Do not install the unit on carpet to avoid interference of static electricity.
- Avoid installation of the unit where excessive vibration or electromagnetic fields exist.
- Do not place the unit in direct sunshine, and keep away from fog or rain.
- Do not install the unit in such a manner that blocks the rear panel or the bottom chassis because such installation may cause overheating and damage to the unit.
- Avoid installation of the unit where a heavy substance may drop on it.
- Do not block the ventilation port. Do not insert fingers or bars. Otherwise, you may cause fire, receive an electric shock, or damage the unit.
- Connect the ground wire correctly. Failure to do so may result in an electric shock or damage the unit.

## BEFORE YOU BEGIN

- Review safety cautions and the operation manual prior to use to thoroughly understand the contents. Otherwise, the user may cause fire, receive an electric shock or injury, or permanently damage the unit.
- Immediately turn the power off if you experience one of the abnormalities shown below. Otherwise, you could receive an electric shock, damage the unit, or cause fire.
  - For the safety purposes, contact us with questions or repair:
    - a. When the unit is broken.
    - b. When an abnormal odor or sound occurs.
    - c. When overheated or smoke is generated.

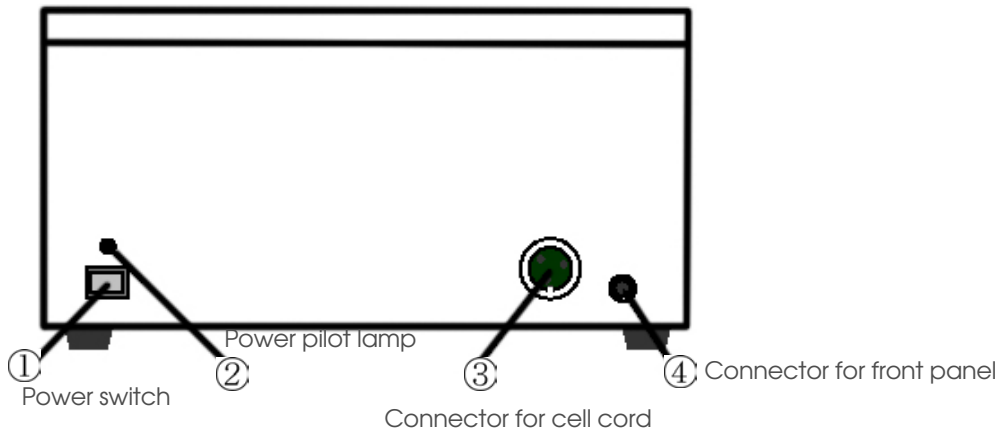
## REPAIR

Do not force the unit to operate when any fault is found. Whenever a problem is encountered, contact NADA Scientific for a service and repair quote at [support@nadascientific.com](mailto:support@nadascientific.com), or call us at 1-800-799-6232.

[support@nadascientific.com](mailto:support@nadascientific.com)

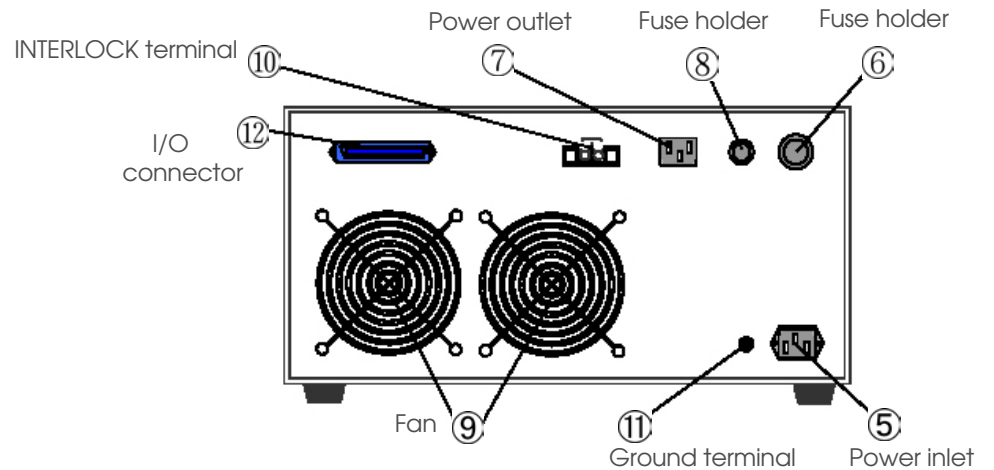
# 1. OVERVIEW

## 1.1 POWER BOOSTER MODEL N600-HAL3001-B10 FRONT VIEW



Names	Function
① Power switch	Switch to power on/off
② Power lamp	Lights on when power is on
③ Connector for cell cord	To connect dedicated cell cable
④ Connector for front panel	To connect dedicated cord with TO CELL on front panel of N600-HA3001

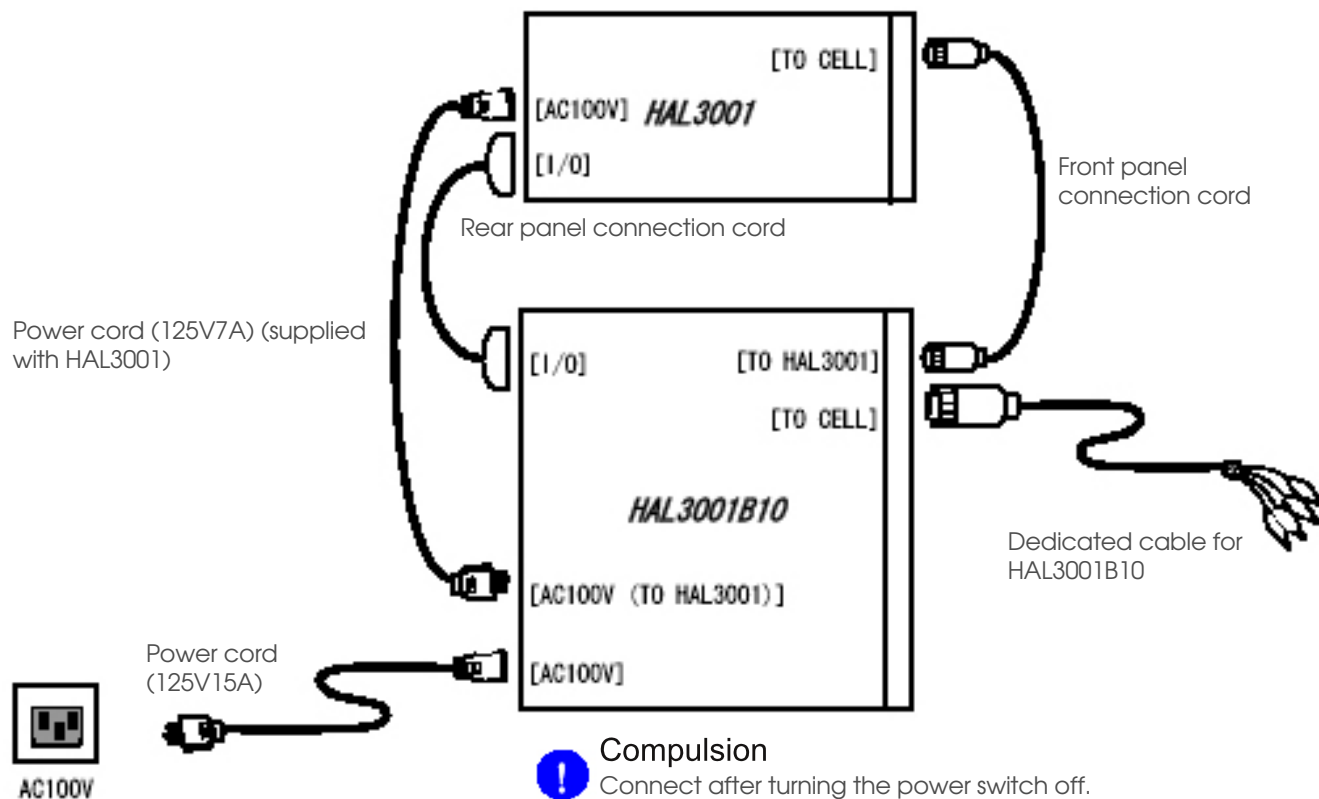
## 1.2 POWER BOOSTER MODEL N600-HAL3001-B10 REAR VIEW



Name	Function
⑤ Power inlet	to connect power cord supplied
⑥ Fuse holder	Fuse for AC120V Power. Rating 20A
⑦ Power outlet	Supplies power to HAL3001. (Do not connect other than this model)
⑧ Fuse holder	Fuse for above ⑦ Rating 3A
⑨ Fan	For air cooling inside the unit
⑩ INTERLOCK terminal	for emergency stop by opening
⑪ Ground terminal	Ground terminal
⑫ I/O connector	to connect with I/O connector on rear panel of HAL3001 with dedicated cord.

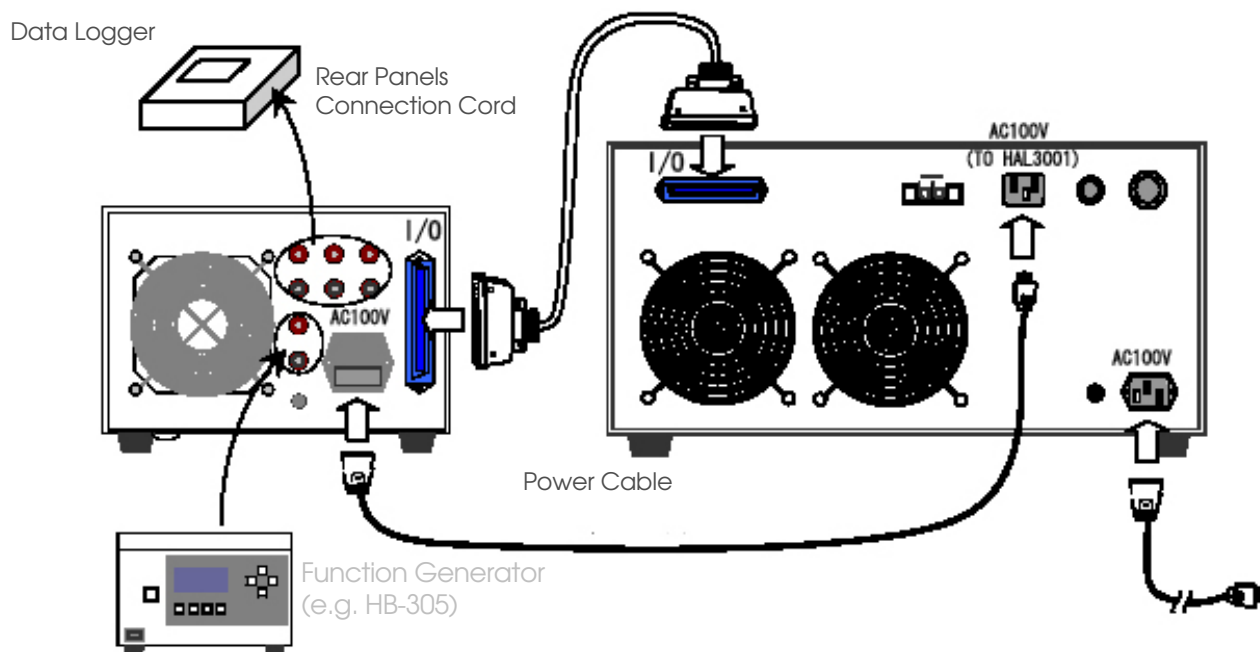
## 2. OPERATION

### 2.1 CONNECTION BETWEEN REAR PANELS OF POWER BOOSTER MODEL N600-HAL3001-B10 AND POTENTIOSTAT/GALVANOSTAT MODEL N600-HAL3001



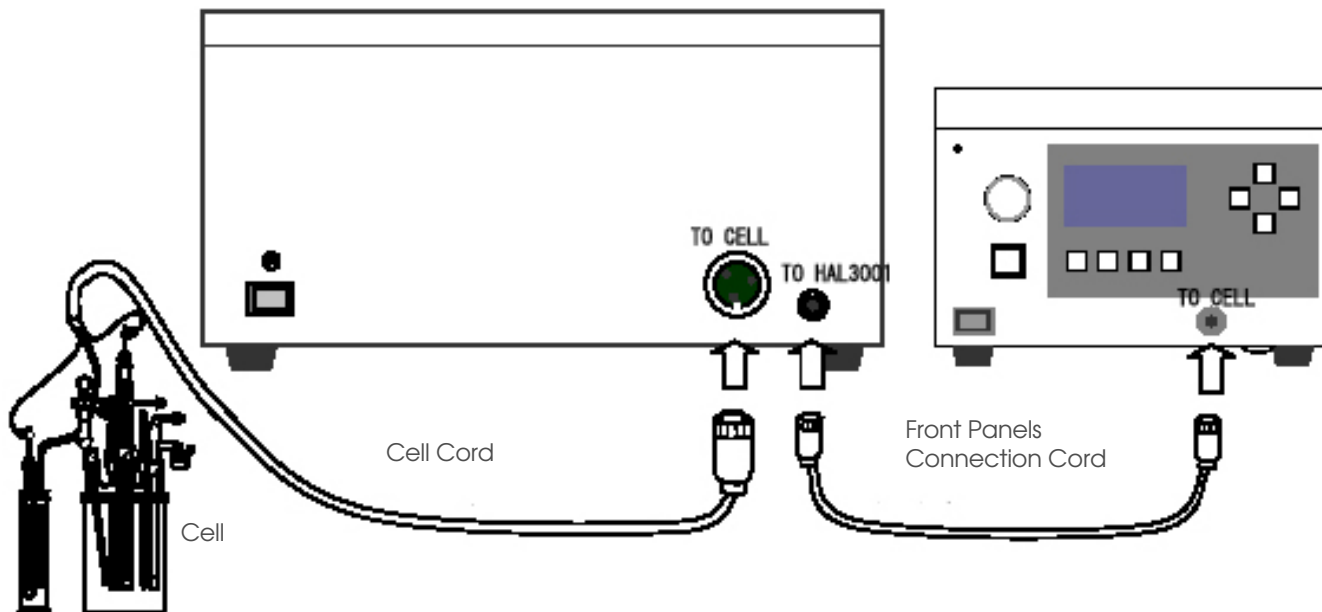
### 2.2 CONNECTION BETWEEN REAR PANELS OF POWER BOOSTER MODEL N600-HAL3001-B10 AND POTENTIOSTAT/GALVANOSTAT MODEL N600-HAL3001

Power to Potentiostat/Galvanostat Model N600-HAL3001 is supplied from Power Booster Model N600-HAL3001-B10. By connecting connection cord between rear panels, information exchange, such as control command value, detected values, status values are executed. Potentiostat/Galvanostat Model N600-HAL3001 automatically acknowledges that Power Booster Model N600-HAL3001-B10 is connected.



## 2.3 CONNECTION BETWEEN FRONT PANELS OF POWER BOOSTER MODEL N600-HAL3001-B10 AND POTENTIOSTAT/GALVANOSTAT MODEL N600-HAL3001

By connecting a connection cord between front panels, analog signal standards on both sides meet. Further, when Potentiostat/Galvanostat Model N600-HAL3001 recognizes that the 10A Power Booster is connected, START becomes possible.

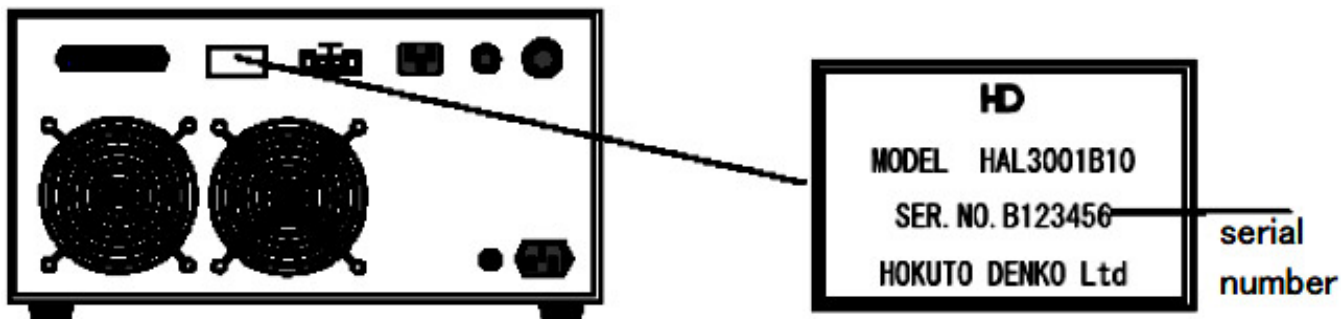


## 3 .WARRANTY

This unit went through a thorough inspection prior to shipment. However, should you experience any issues caused by workmanship or accident during transportation, call us immediately at 1-800-799-6232. The warranty period is 1 year after receipt of this instrument.

## 4. MAINTENANCE AND SERVICE

For prompt service and return to the customer, please provide detailed information regarding the issues you have experienced using this unit. In addition, please return in the original box or equivalent. Please include all instrument attachments that originally came with your instrument. Finally, please provide the serial number of the instrument. It is located at the rear of the unit.



Ex: N600-HAL3001-B10 REAR PANEL